

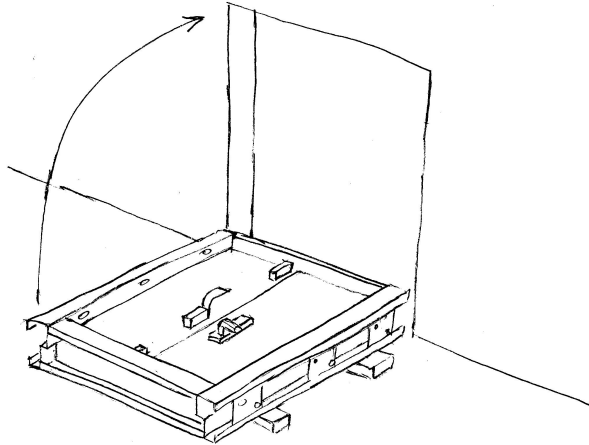
Installation Instructions

Double G15 with 2nd fix Rebate Frame

With appropriate fixings or DoorTechnik fitting kits, the G15 can be easily fitted to steel, masonry or timber openings. Please read these instructions before starting the installation.



Tel 01522 693522 Fax 01522 508494



Installation Quick Summary

The doorset should be assembled on the floor directly in front of the opening so that the threshold is very close to its final position.

When the top end of the doorset is lifted up, the unit will then pivot about the threshold leaving little repositioning to be done.

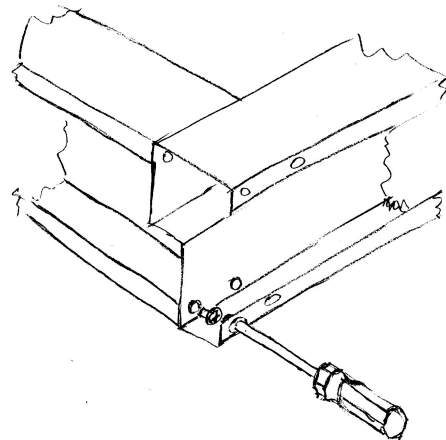
Align the doorset in the opening and fix through the frame with countersunk screws.

Assembling the G15

Lay the 2 doors out on the floor, either on packaging bearers or still partially in the boxes, so that the jambs are on the outside and the bottoms of the doors are next to the opening. Push the 2 doors together taking care not to dislodge the transit spacers, which are taped to the doors.

The doorset is fitted with spacers to eliminate movement between the doors and frame during installation, which ensures rapid fitting and no alignment problems.

Fix the jambs to the frame head and threshold with 4 taptite screws to each corner. If a thread is stripped through overtightening simply fit an M5 nut. Again, take care not to dislodge the transit spacers



Fitting Sequence

1. Place the doorset in the opening and prop or hold in position.
2. Align the doorset in the opening. Fit packings between the frame brackets and the sides of the opening or underneath the frame sides as required.
3. Fit countersunk screws through each of the 7 frame brackets. Do not overtighten screws.
4. Open doors and discard transit packings.
5. Fix through frame reveals with countersunk screws. Do not overtighten screws.
6. Fix threshold to floor with countersunk screws.
7. Check door alignment to frame and correct by adjusting hinges if required.
8. Check operation of all locking mechanisms and closing devices.

